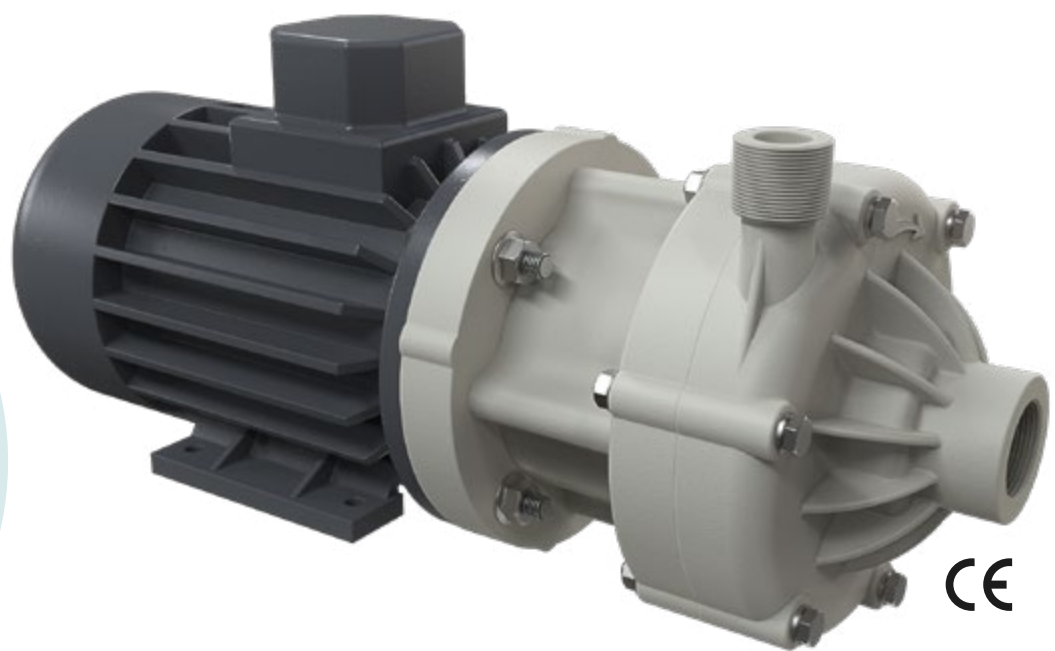


DM 06

MAGNETIC DRIVE CENTRIFUGAL PUMPS



- Product designed and constructed in Italy
- Constructed in Polypropylene or PVDF
- Under head use
- Extremely easy to operate and maintain
- Suitable for continuous use



DM PUMPS CODES ENCODING

e.g. DM10P-SD1BE071

DM10 PP, standard thrust bearing, O-Ring EPDM, impeller \varnothing 98 mm, BSPP fitting, MEC motor flange, 071 casing.

DM10	P	S	D	1	B	E	071	T
PUMP MODEL	PUMP BODY	THRUST BEARING	O-RING	IMPELLER	FITTING	MOTOR FLANGE	CASING	MOTOR
DM06 DM10 DM15 DM30	P - Polypropylene FC - PVDF+CF	S - Standard (ceramic + PTFE Graphite)	D - EPDM V - Viton®	DM06 1= \varnothing 81 mm 2= \varnothing 70 mm 3= \varnothing 65 mm DM10 1= \varnothing 98 mm 2= \varnothing 85 mm 3= \varnothing 70 mm DM15 1= \varnothing 123 mm 2= \varnothing 108 mm 3= \varnothing 90 mm DM30 1= \varnothing 134 mm 2= \varnothing 122 mm 3= \varnothing 110 mm	N - NPT B - BSPP	E - MEC U - NEMA*	DM06 063 071 DM10 071 080 DM15 090 DM30 090 100 112	M - Single-phase** T - Three-phase A - ATEX** S - Without Motor

* Only pump available, with American flange, for coupling with NEMA motor

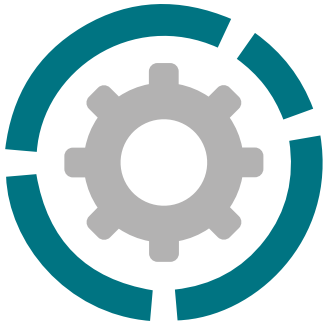
**On request

DM 06

MAGNETIC DRIVE CENTRIFUGAL PUMPS



Specifications and types



Suction fittings	1" f BSPP or DN 25 - NPT
Delivery fittings	3/4" m BSPP or DN 20 - NPT
Max flow rate	7 m3/h
Min flow rate	0,75 m3/h
Max head	8,5 m
Viscosity up to	150 cps

PP



PVDF



Standard electric motor:

Kw 0,25 HP 0,35

Casing B3+B5
RPM 2900
Three-phase 230/400 V
50/60 HZ
2 Poles IE2 Protection IP55
Ambient temperature -30°C + 45°C

Kw 0,37 HP 0,5

Casing B3+B5
RPM 2900
Three-phase 230/400 V
50/60 HZ
2 Poles IE2 Protection IP55
Ambient temperature -30°C + 45°C

Kw 0,25 HP 0,35

Casing B3+B5
RPM 2900
Single-phase
Ambient temperature -30°C + 45°C

Kw 0,37 HP 0,5

Casing B3+B5
RPM 2900
Single-phase
Ambient temperature -30°C + 45°C

Electric motors available on request:

SINGLE-PHASE

ATEX

NEMA 56C*

*[Only pump available, with American flange, for coupling with NEMA motor - the motor is not included in our standard]

IMPELLER	Motor 0,25 Kw (0,35 HP)	Motor 0,37 Kw (0,5 HP)
Ø 81 mm (Standard)	up to 1,2 g/cm ³	up to 1,8 g/cm ³
Ø 70 mm	up to 1,5 g/cm ³	up to 2 g/cm ³
Ø 65 mm	up to 1,8 g/cm ³	up to 2 g/cm ³

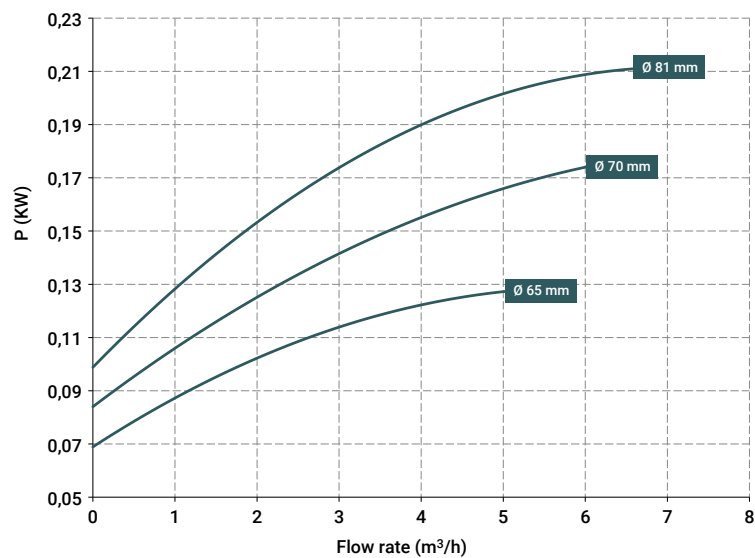
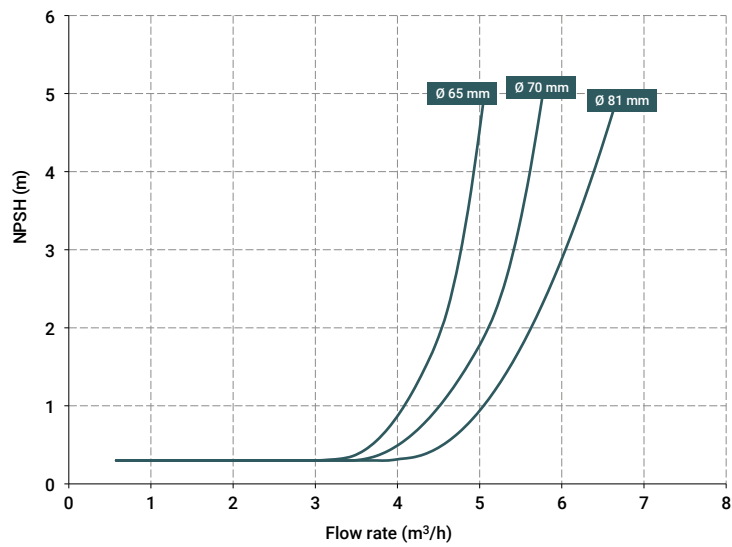
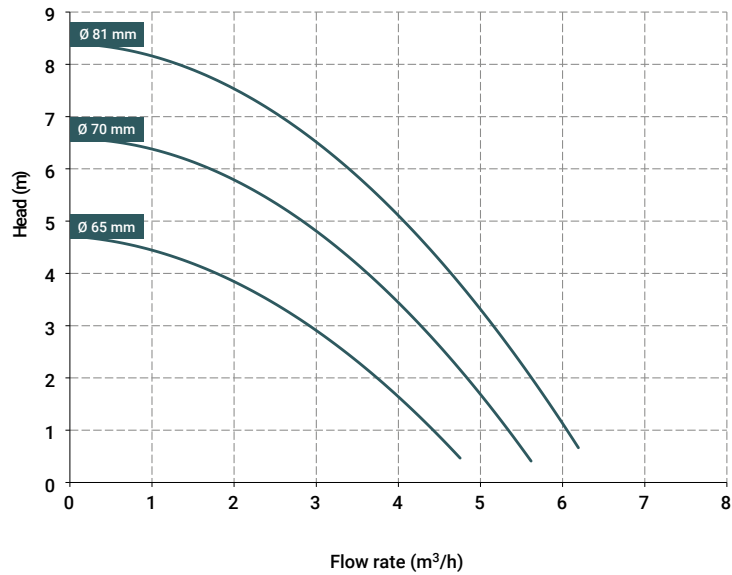
Operating temperatures** and weights:

PP	from 0°C to + 70°C, 2,2 Kg*
PVDF	from -10°C to + 100°C, 2,5 Kg*

*The weights refer to the pump without the motor

**Measurements should be taken with agitated water; temperatures may vary depending on the conditions of the system and/or the processed liquid

Specifications and types



The curves and performances refer to tested pumps, with water at 20 °C, two-pole motor 50 Hz (2900rpm).

Specifications and types

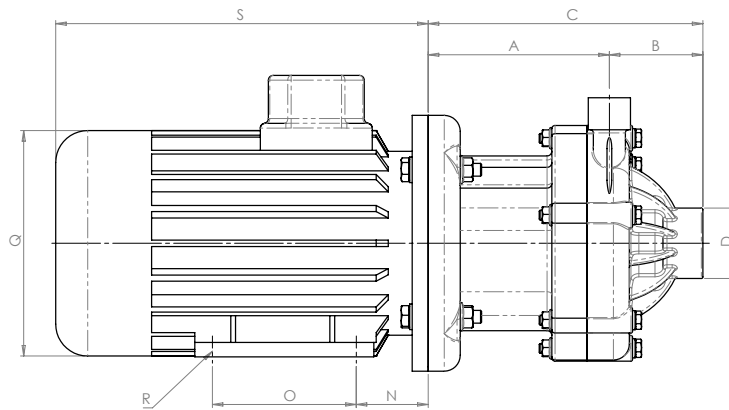
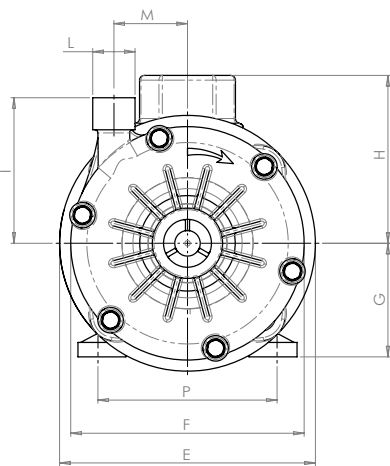
Length measurements in mm

MODEL	CASE	POWER	A	B	C	D	E*	F*	G*	H*	I	L	M	N*	O*	P*	Q*	R*	S*
DM06	IEC 63	0,25 Kw	113,3	58,5	171,8	1" f(**)	140	146	63	102	91	3/4"m(**)	46	40	80	100	119	7	207
DM06	IEC 71	0,37 Kw	113,3	58,5	171,8	1" f(**)	160	146	71	114	91	3/4"m(**)	46	45	90	112	135	7	225
DM06	NEMA 56C***	0,5 Hp	113,3	58,5	171,8	1" f(**)	-	146	-	-	91	3/4"m(**)	46	-	-	-	-	-	-

* Measurements may vary depending on the motor supplier.

** NPT or BSPP gas

***Warning: if you decide to combine the pump with a NEMA motor, the pump is delivered with a suitable coupling flange, but not the NEMA motor, which is not included in our standard supply.



Sealing O-ring materials:

- EPDM
- VITON®

Packaging:

- Pump with 0,25/0,37 Kw motor
- Wooden case size 50 x 25 x 35 cm - Weight 7 Kg
(the weight refers only to the packaging without the pump inside)

Accessories:

- Flange kit (DIN flanges - ANSI on request)



UNDER HEAD USE

MAIN APPLICATION SECTORS



AUTOMOTIVE



CHEMICAL INDUSTRY



GALVANIC AND ELECTRONIC INDUSTRY



WATER AND SLUDGE TREATMENT

● DM06 ● DM10 ● DM15 ● DM30